

ISOMETRIC VIEW

PARTICULARS  
 DISPLACEMENT: 850 Kgs (S.W)  
 LENGTH OVERALL 5.7 m  
 LENGTH BOW TO TRANSOM WALL 5.0m  
 LENGTH LOAD WATERLINE: 4.408 m  
 BEAM AT DECK: 2.219 m  
 BEAM AT DWL: 1.870 m  
 MAX FREEBOARD 1.056 m  
 DEAD RISE AT TRANSOM 14°  
 DRAFT: 0.268 m  
 LCF 3.617 m AFT OF F.P  
 PRISMATIC COEFFICIENT (Cp): 0.708  
 BLOCK COEFFICIENT(Cb): 0.420  
 WATERPLANE COEFFICIENT (Cw): 0.777  
 KG/CM 65.8  
 VCG: 0.533 m ABOVE KEEL  
 LCG: 3.892 m AFT OF F.P  
 LCB: 3.747 m AFT OF F.P  
 VCB: 0.090m BELOW DWL  
 BOUYANCY FOAM DENSITY: 30KG/M CUBIC  
 BOUYANCY FOAM REQUIRED: 0.85 CUBIC M

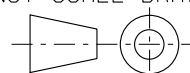
**DESIGNER BOATS AUST**

26 GREVILLE AVE SANCTUARY POINT 2540 N.S.W.  
 TEL 02 44438540. FAX 02 44438470.  
 WEB [www.designerboats.com.au](http://www.designerboats.com.au)

TITLE 5.7M-T2 HULL & POD  
 ISOMETRIC VEIW

CLIENT

DO NOT SCALE DRAWING



ALL DIMENSIONS IN  
 MILLIMETRES

THIS DRAWING & DESIGN  
 IS PROPERTY OF  
 PETER BOOTH AND NOT TO BE  
 COPIED IN WHOLE OR PART  
 WITHOUT WRITTEN PERMISSION  
 FROM PETER BOOTH

DRAWN BY P.H. BOOTH

DATE 24/11/08

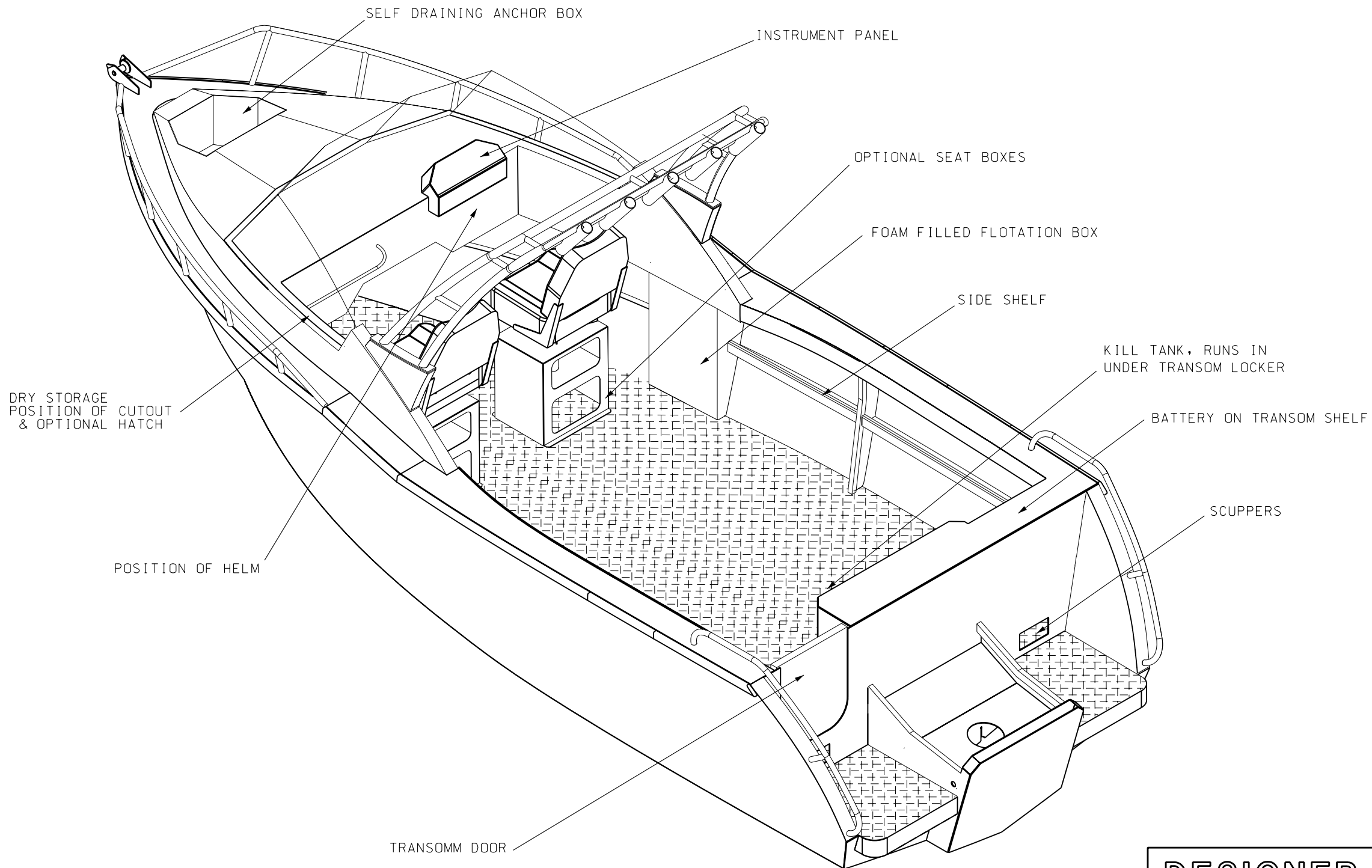
SCALE  
 1:20

DRG No  
 D57-T2-01

REV.  
 0

A3

REVISION



RIGHT ISOMETRIC VIEW

**DESIGNER BOATS AUST**

26 GREVILLE AVE SANCTUARY POINT 2540 N.S.W.  
 TEL 02 44438540. FAX 02 44438470.  
 WEB www.designerboats.com.au

TITLE 5.7M-T2 HULL & POD  
 RIGHT ISOMETRIC VIEW

CLIENT

DRAWN BY P.H. BOOTH

DATE 24/11/08

SCALE  
 1:20

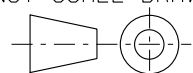
DRG No  
 D57-T2-02

REV.  
 0

A3

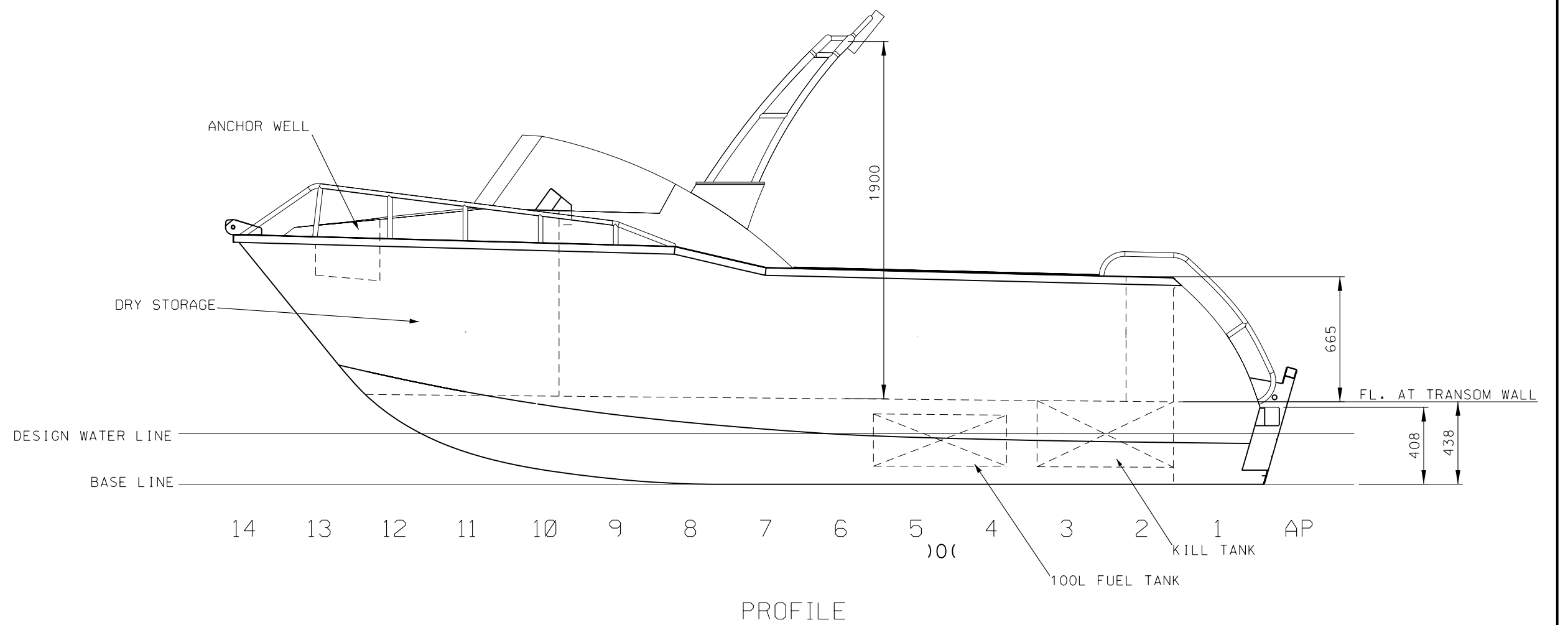
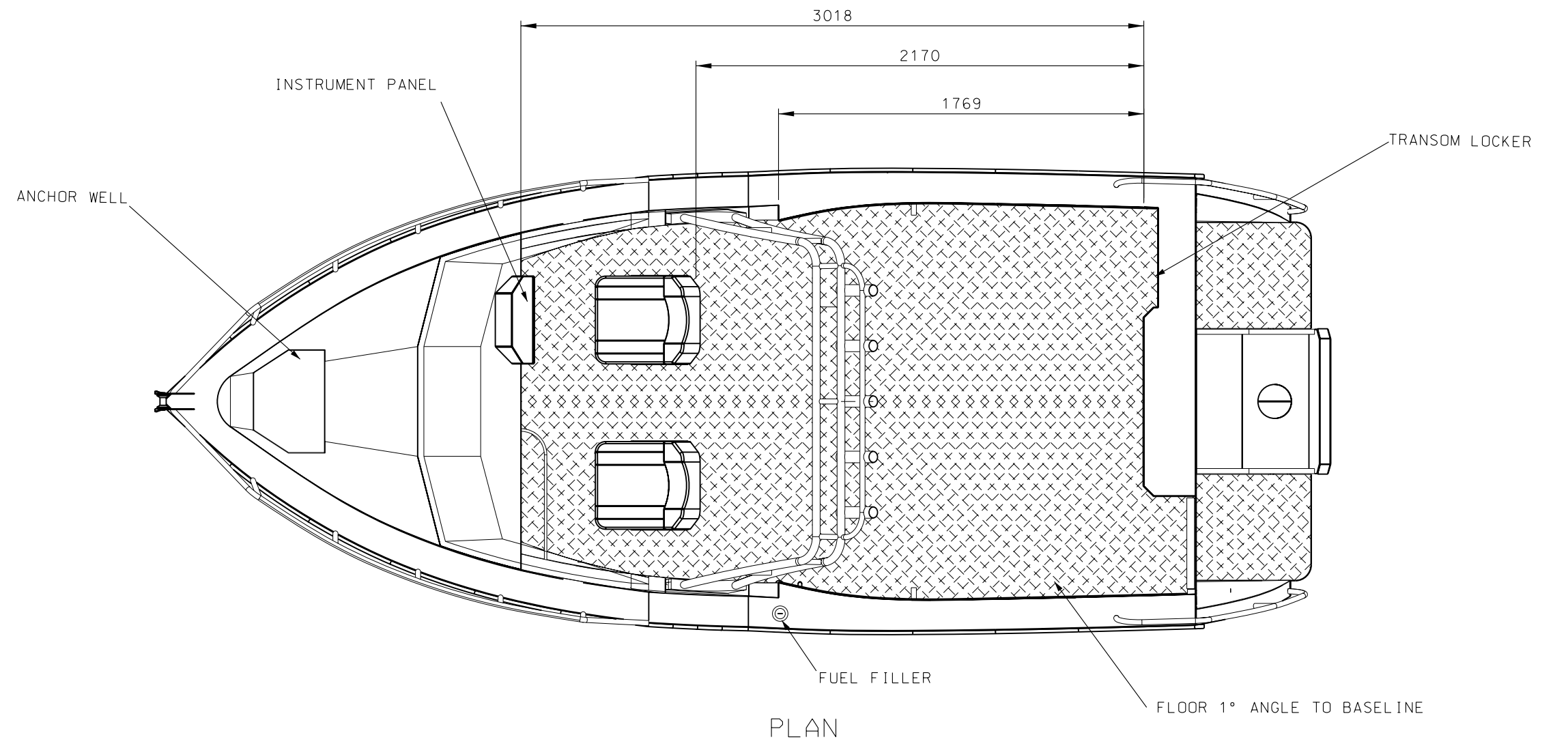
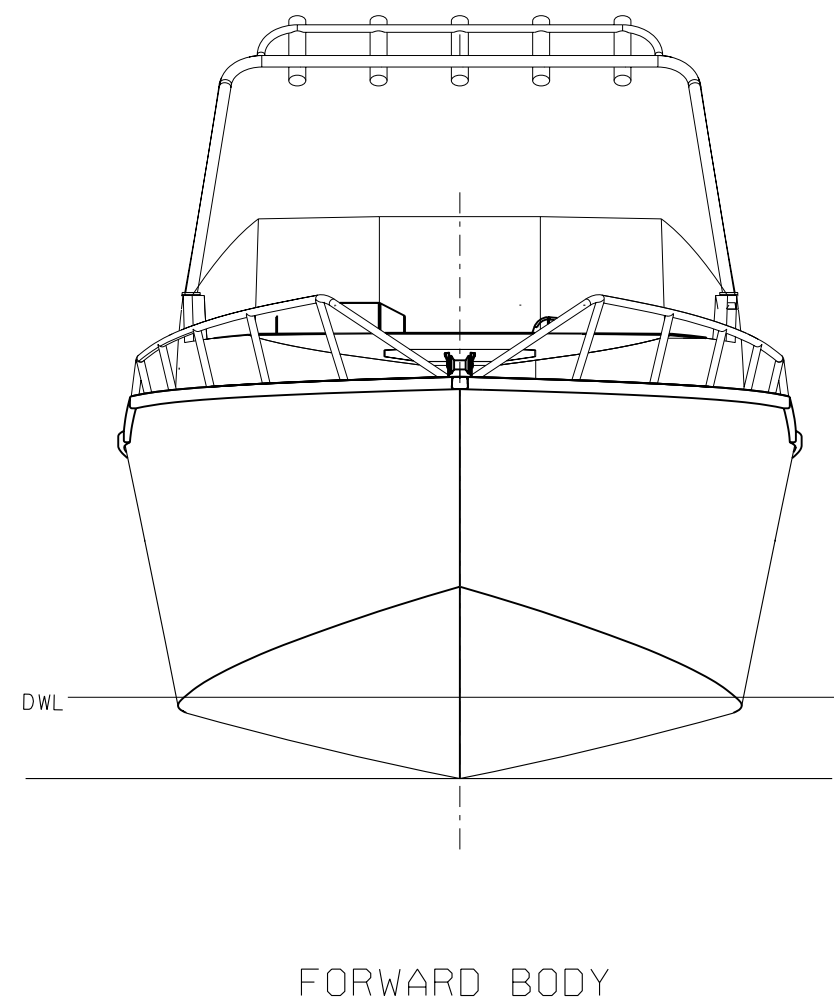
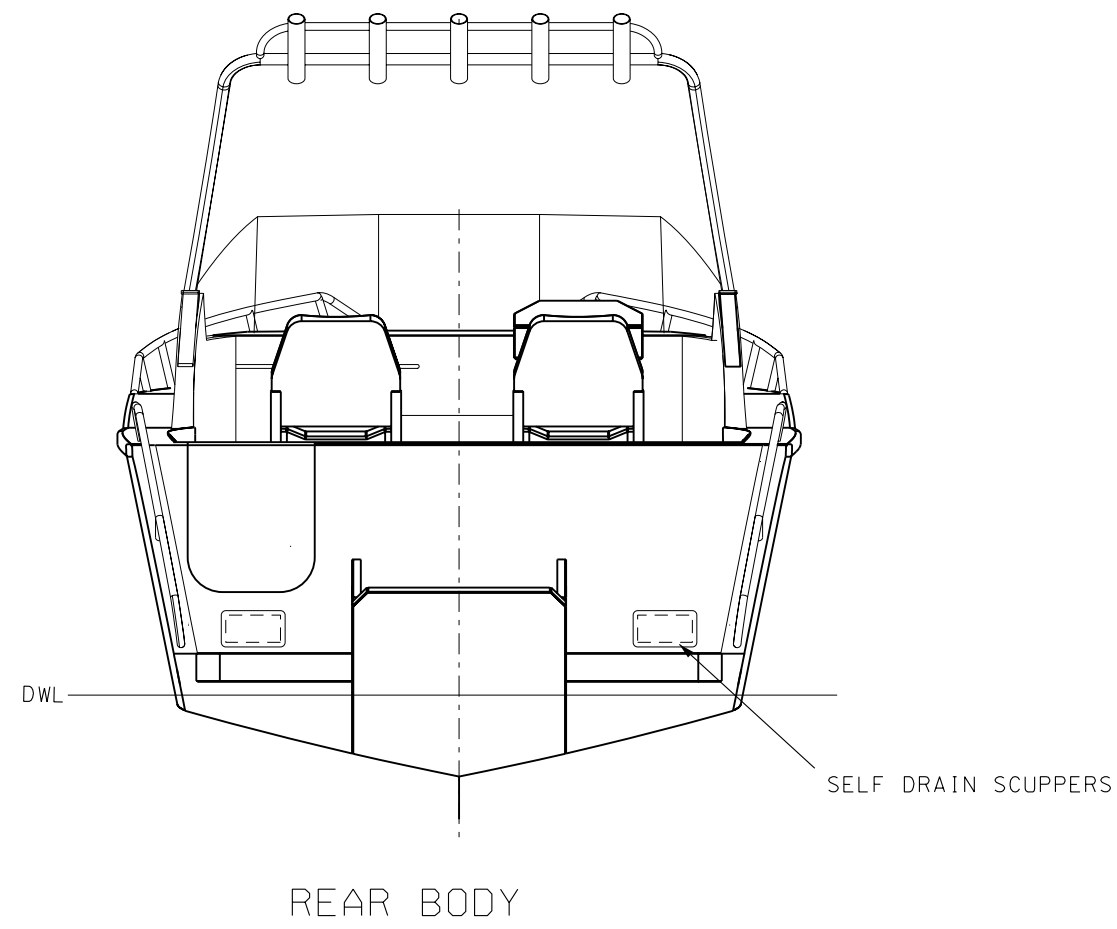
REVISION

DO NOT SCALE DRAWING



ALL DIMENSIONS IN  
 MILLIMETRES

THIS DRAWING & DESIGN  
 IS PROPERTY OF  
 PETER BOOTH AND NOT TO BE  
 COPIED IN WHOLE OR PART  
 WITHOUT WRITTEN PERMISSION  
 FROM PETER BOOTH



**PARTICULARS**  
 DISPLACEMENT: 956 Kgs (S.W.)  
 LENGTH OVERALL 5.7 m  
 LENGTH LOAD WATERLINE: 4.408 m  
 BEAM AT DECK: 2.219 m  
 BEAM AT DWL: 1.870 m  
 MAX FREEBOARD 1.056 m  
 DEAD RISE AT TRANSOM 14"  
 DRAFT: .268 m  
 ENGINE: 175 HP (ABP MAX)  
 ENGINE: 75 HP (REC)  
 FUEL: 100 LITRES

**DESIGNER BOATS AUST**  
 26 GREVILLE AVE SANCTUARY POINT 2540 N.S.W.  
 TEL 02 44438540, FAX 02 44438470.  
 WEB. www.designerboats.com.au

TITLE **5.7M-T2 HULL & POD**  
**GENERAL ARRANGEMENT**

CLIENT

DO NOT SCALE DRAWING  
  
 ALL DIMENSIONS IN MILLIMETRES

THIS DRAWING & DESIGN IS PROPERTY OF PETER BOOTH AND NOT TO BE COPIED IN WHOLE OR PART WITHOUT WRITTEN PERMISSION FROM PETER BOOTH

DRAWN BY P.H. BOOTH DATE 24/11/08  
 SCALE 1:25 DRG No D57-T2-03 REV. 0 A2

REVISION

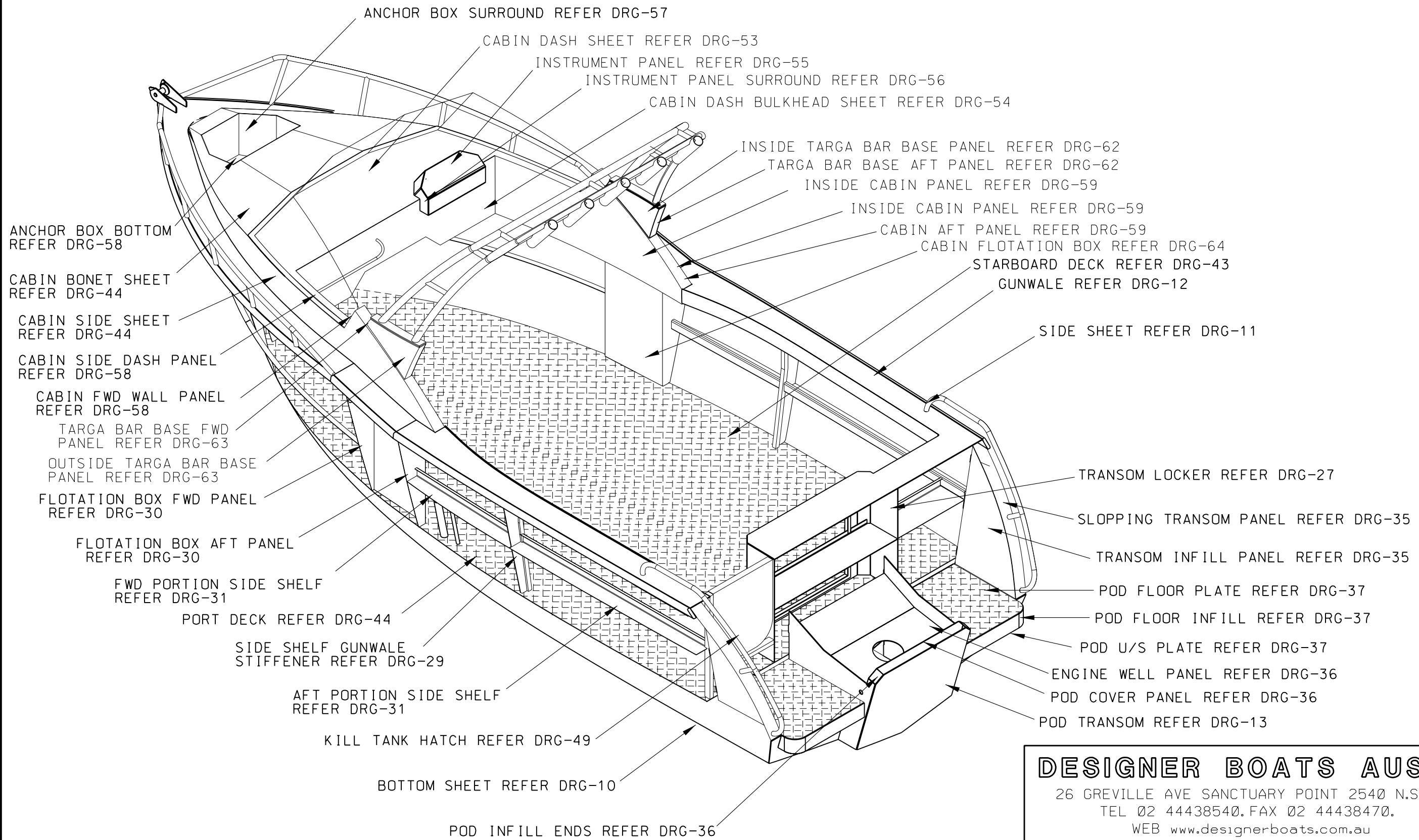


PLATE ARRANGEMENT

**DESIGNER BOATS AUST**

26 GREVILLE AVE SANCTUARY POINT 2540 N.S.W.  
 TEL 02 44438540. FAX 02 44438470.  
 WEB www.designerboats.com.au

TITLE 5.7M-T2 HULL & POD  
 PLATE ARRANGEMENT

CLIENT

DRAWN BY P.H. BOOTH

DATE 24/11/08

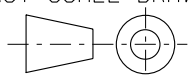
SCALE 1:20

DRG No D57-T2-04

REV. 0

A3

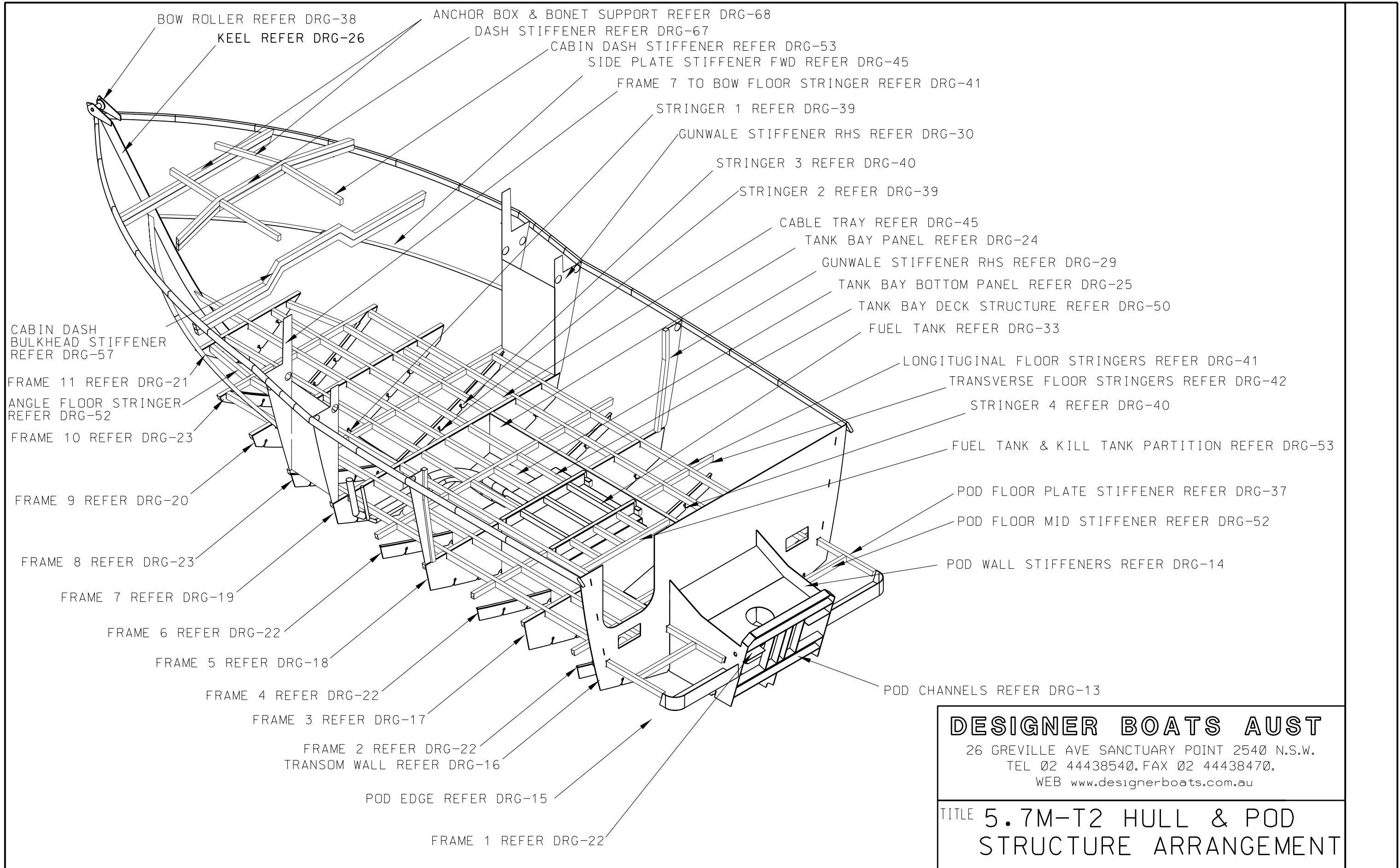
DO NOT SCALE DRAWING



ALL DIMENSIONS IN  
 MILLIMETRES

THIS DRAWING & DESIGN  
 IS PROPERTY OF  
 PETER BOOTH AND NOT TO BE  
 COPIED IN WHOLE OR PART  
 WITHOUT WRITTEN PERMISSION  
 FROM PETER BOOTH

REVISION



CABIN DASH  
BULKHEAD STIFFENER  
REFER DRG-57

FRAME 11 REFER DRG-21

ANGLE FLOOR STRINGER  
REFER DRG-52

FRAME 10 REFER DRG-23

FRAME 9 REFER DRG-20

FRAME 8 REFER DRG-23

FRAME 7 REFER DRG-19

FRAME 6 REFER DRG-22

FRAME 5 REFER DRG-18

FRAME 4 REFER DRG-22

FRAME 3 REFER DRG-17

FRAME 2 REFER DRG-22  
TRANSOM WALL REFER DRG-16

POD EDGE REFER DRG-15

FRAME 1 REFER DRG-22

BOW ROLLER REFER DRG-38  
KEEL REFER DRG-26

ANCHOR BOX & BONET SUPPORT REFER DRG-68  
DASH STIFFENER REFER DRG-67

CABIN DASH STIFFENER REFER DRG-53  
SIDE PLATE STIFFENER FWD REFER DRG-45

FRAME 7 TO BOW FLOOR STRINGER REFER DRG-41

STRINGER 1 REFER DRG-39

GUNWALE STIFFENER RHS REFER DRG-30

STRINGER 3 REFER DRG-40

STRINGER 2 REFER DRG-39

CABLE TRAY REFER DRG-45  
TANK BAY PANEL REFER DRG-24

GUNWALE STIFFENER RHS REFER DRG-29

TANK BAY BOTTOM PANEL REFER DRG-25

TANK BAY DECK STRUCTURE REFER DRG-50

FUEL TANK REFER DRG-33

LONGITUDINAL FLOOR STRINGERS REFER DRG-41

TRANSVERSE FLOOR STRINGERS REFER DRG-42

STRINGER 4 REFER DRG-40

FUEL TANK & KILL TANK PARTITION REFER DRG-53

POD FLOOR PLATE STIFFENER REFER DRG-37

POD FLOOR MID STIFFENER REFER DRG-52

POD WALL STIFFENERS REFER DRG-14

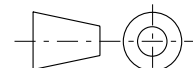
POD CHANNELS REFER DRG-13

# STRUCTURE ARRANGEMENT

**DESIGNER BOATS AUST**  
26 GREVILLE AVE SANCTUARY POINT 2540 N.S.W.  
TEL 02 44438540. FAX 02 44438470.  
WEB www.designerboats.com.au

TITLE **5.7M-T2 HULL & POD  
STRUCTURE ARRANGEMENT**

CLIENT

DO NOT SCALE DRAWING  
  
ALL DIMENSIONS IN  
MILLIMETRES

THIS DRAWING & DESIGN  
IS PROPERTY OF  
PETER BOOTH AND NOT TO BE  
COPIED IN WHOLE OR PART  
WITHOUT WRITTEN PERMISSION  
FROM PETER BOOTH

DRAWN BY P.H. BOOTH		DATE 24/11/08	
SCALE 1:20	DRG No D57-T2-05	REV. 0	A3

REVISION